

通用型套管（用於雙金屬型和工業型溫度計）



說明和規格

材質：銅, 304 不銹鋼 或者 316 不銹鋼

溫度計接頭：1/2"NPT 標準內螺紋或其他要求的螺紋尺寸

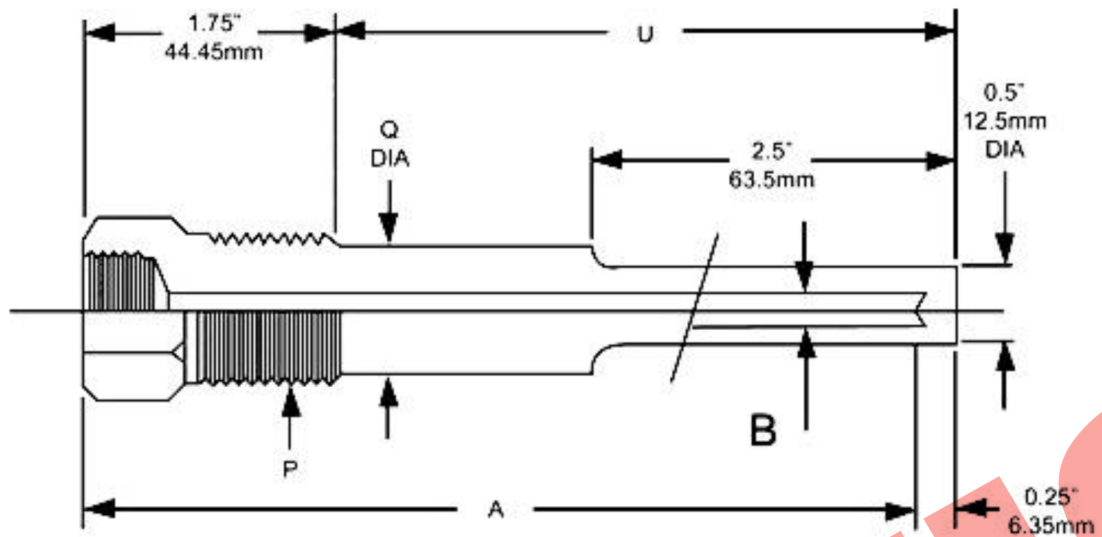
外螺紋：3/4 ", 1/2", 1" 或其他螺紋尺寸

內孔：0.260"(6.5mm) 標準孔

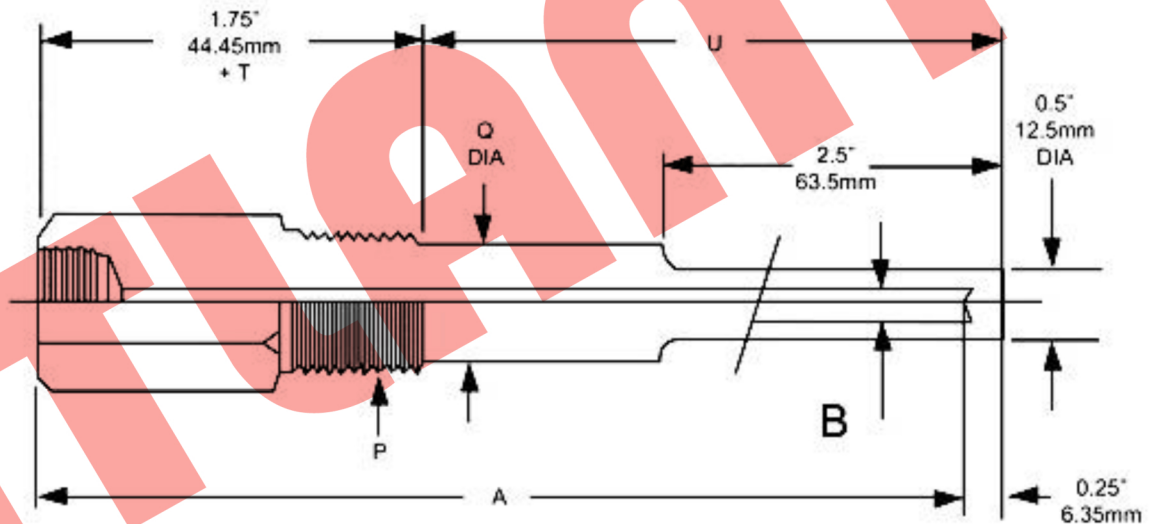
產品用途：套管可保護溫度計不直接暴露在被測量的介質中。

25-1 Bimetal thermowell

Standard Thermowell with threaded connection 1/4" element, 0.26" (6.6mm) bore without lag



Standard Thermowell with threaded connection 1/4" element, 0.26" (6.6mm) bore with lag

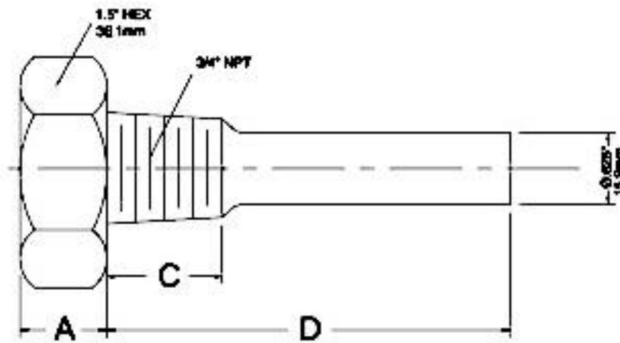


25-1 Bimetal thermowell

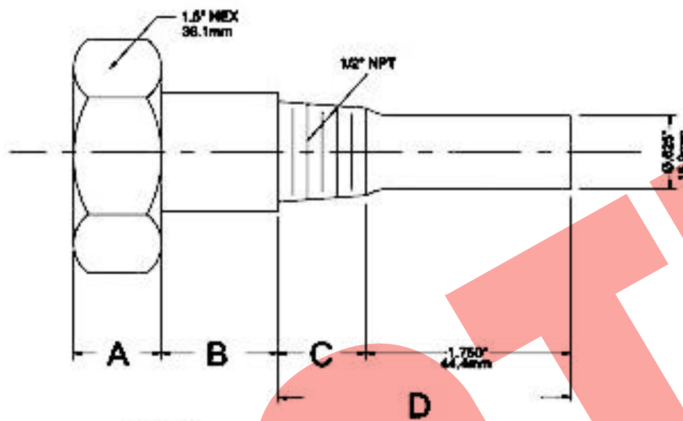
Stem - A	U	Material
6" (150mm)	2.5" (63mm)	Brass 304 SS 316SS
9" (229mm)	4.5" (115mm)	
12" (305mm)	7.5" (190mm)	

25-2 Industrial thermowell

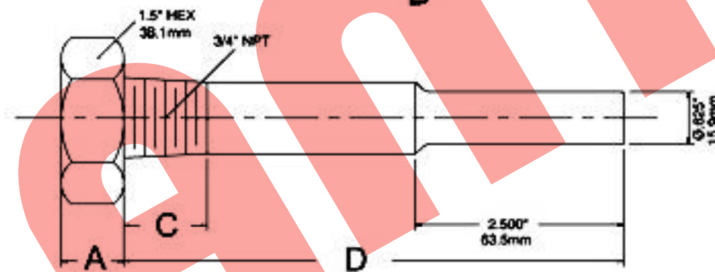
3.5" Stem Without Lagging



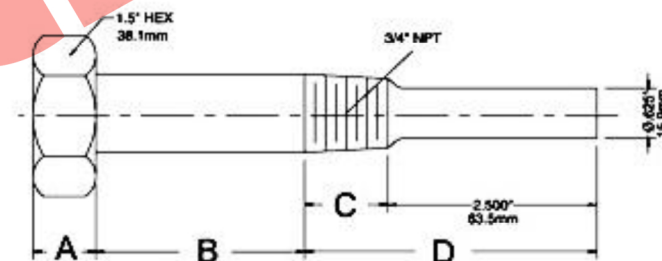
3.5" Stem With Lagging



6" Stem Without Lagging



6" Stem With Lagging



25-2 Industrial thermowell

Stem	A	B	C	D	Material
3.5" (90mm)	0.750" (19.0mm)		1.000" (25.4mm)	3.500" (88.8mm)	Brass 304 SS 316 SS
3.5" with Lagging (90mm)	0.750" (19.0mm)	1.000" (25.4mm)	0.750" (19.0mm)	2.5" (63.4mm)	
6" (150mm)	0.750" (19.0mm)		1.000" (25.4mm)	6.000" (152.3mm)	
6" with Lagging (150mm)	0.750" (19.0mm)	2.500" (63.5mm)	1.000" (25.4mm)	3.500" (88.8mm)	